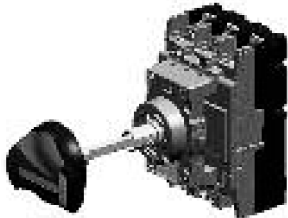


## TEMBREAK 2 MCCBs AND SWITCH DISCONNECTORS

### Operating Handles & Locking Devices

#### Door Mounted Handle (HS) Standard Type

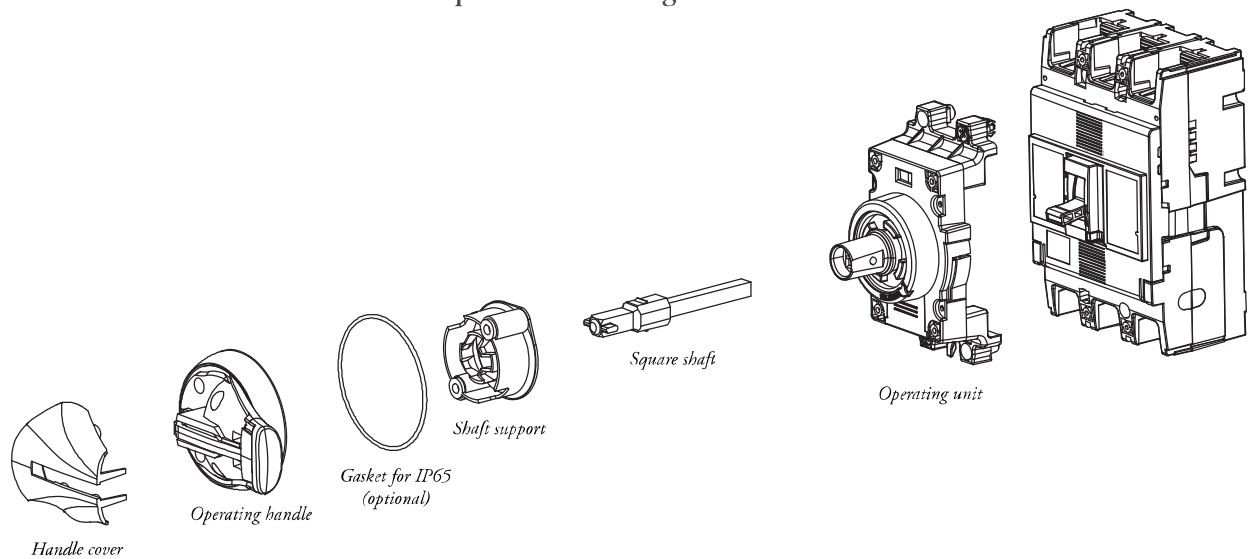


The door mounted handles allow breakers installed in control centers or switchboards to be manually operated from outside and complies with IEC 60204-1.

It consists of an operating mechanism that is mounted on the breaker, an operating handle that is mounted on the door, and a shaft that transmits the turning force from the handle to the operating unit.

The shaft can be cut to the required length.

The shaft support makes easy to insert to the operating handle when the panel door is being closed.



SECTION 4

#### Door Interlock Mechanism

The external operating handle keeps the panel door locked when in the ON position.

##### OFF open type

The handle is turned to the OFF position to open the panel door.

- Door interlock release button

The release button enables the panel door to be opened with the handle in the ON position.

To release: push the release button on the side of the operating handle with a flat-bladed screwdriver.



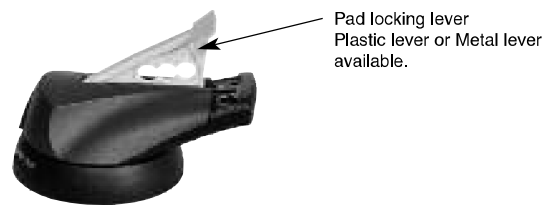
#### Handle Lock Mechanism

- Padlock (Standard)

This mechanism allows the breaker to be padlocked in the OFF position.

Padlocks are not supplied.

Up to three padlocks can be installed.



# DIMENSIONS

## DOOR MOUNTED HANDLE

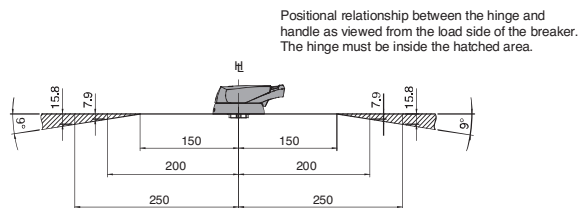
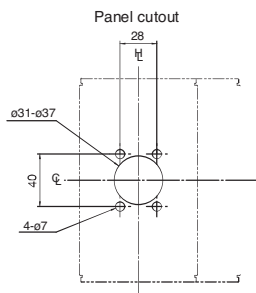
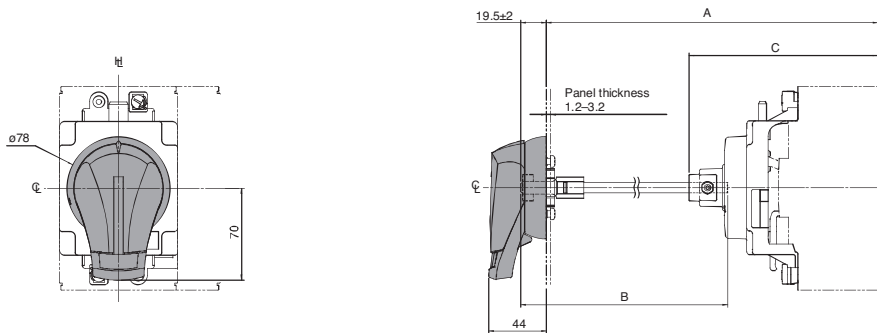
### Tembreak 2 MCCBs & Switch Disconnectors

ASL: Arrangement Standard Line  $ht$ : Handle Frame Centre Line  $Q$ : Handle Centre Line

Applicable MCCB	A 1	B	C
S125, VS125	175 min 453 max.	80 358	144 144

Min. means the minimum length for A, b cutting the shaft.  
 1 Max. means the maximum length for A without cutting the shaft.  
 The shaft can be cut to the required length.

A Distance from the panel surface to the breaker mounting surface  
 B Length of the square shaft used



Padlock dimensions (mm)

