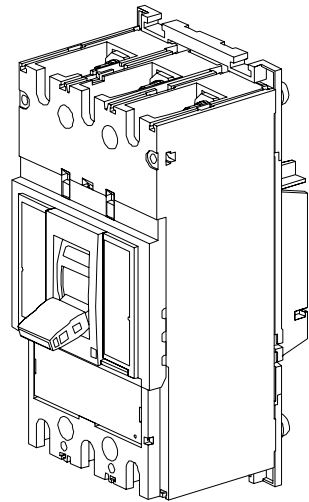


**Plug-in Connection Unit Instruction Manual**

Types: E400 S400  
E630 S630



This document has described the procedure which attaches Plug-in Connection unit in TemBreak2 series.

Please retain this manual for future reference. The Manufacturer assumes no responsibility for damages resulting from non-application or incorrect application of the instructions provided herein.

**TERASAKI ELECTRIC CO., LTD.**

7-2-10 Kamihigashi, Hiranoku, Osaka  
547-0002, Japan  
TEL:81-6-6791-9323/ FAX:81-6-6791-9274  
Web Site: www.terasaki.co.jp  
Email: int-sales@terasaki.co.jp

2G0618SAA (KRB-5310)

**1 Safety Notice**

Be sure to read these Instructions and other associated documents accompanying the product thoroughly to be familiarize yourself with the product handling, safety information, and all other precautions before mounting, using, servicing, or inspecting the product. In these Instructions, safety notices are divided into **Caution** according to the hazard level:

**Caution**: A caution notice with this symbol indicates that neglecting the suggested procedure or practice could result in moderate or slight personal injury and/or property damage. Note that failing to observe **Caution** notices could result in serious injury/damage in some situations. Because safety notices contain important information, be sure to read and observe them.

**Caution**

**Installation Precautions**

- Clean the Plug-in Connection bolt mounting surface (contact surface with the breaker terminals). Otherwise, a fire may result.
- Insert the Plug-in Connection bolt the full depth until the mounting surface comes into contact with the breaker terminals, and tighten it with the Plug-in Connection bolt fixing screws. Otherwise, a fire may result.
- Tighten the Plug-in Connection bolt fixing screws and carrier fixing screws to the torque specified in this manual. Otherwise, a fire may result.

**Operation Precautions**

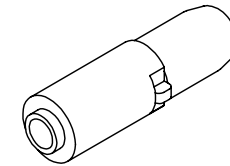
- When the breaker trips open automatically, remove the cause; then close the breaker. Otherwise, a fire may result.

**Maintenance Precautions**

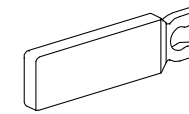
- Service and/or inspection of the product must be done by persons having expert knowledge.
- Before service or inspection of this product, please ensure that no voltage is present on the breaker supply side. Any device upstream of this breaker should be suitably isolated otherwise electric shock may result.
- Regularly check that the Plug-in Connection bolt fixing screws are tightened to torque values shown within this manual, failure to do so may result in fire.

**2 Applicable Breaker Types/Packed Items**

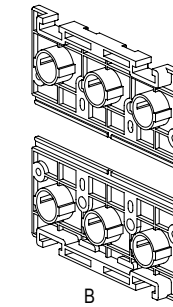
Applicable Breaker Types	Poles	Types	Plug-in Connection Unit										
			Items										
			A	B	C	D	E	F	G	H	I	J	K
E400, S400,	3	800047	6	2	1	-	1	6	-	8	8	1	4
	4	800054	8	-	1	2	1	8	-	8	8	1	4
E630-NE, S630-CE, S630-GE, S630-NN	3	800085	6	2	1	-	1	-	6	8	8	1	4
	4	800092	8	-	1	2	1	-	8	8	8	1	4



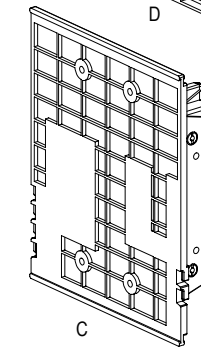
A



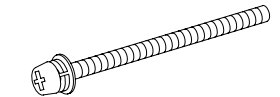
E



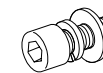
B



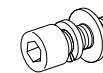
C



K : M6 × 120



F: M8 × 10



G: M8 × 20



H : M4 × 10

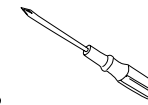


I

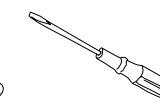
OPEN THE MCCB BEFORE MOUNTING OR REMOVING.  
MCCBをOFFにして取付け・取外し下さい。

J

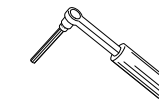
**3 Assembly tools**



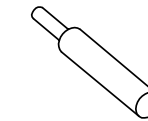
+



-



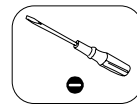
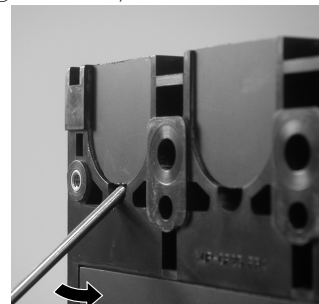
6



**4 Plug-in Connection Unit Mounting Procedure**

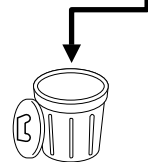
Please attach Plug-in Connection unit in front connected breaker.

**1 Removal of L, M and N**

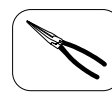
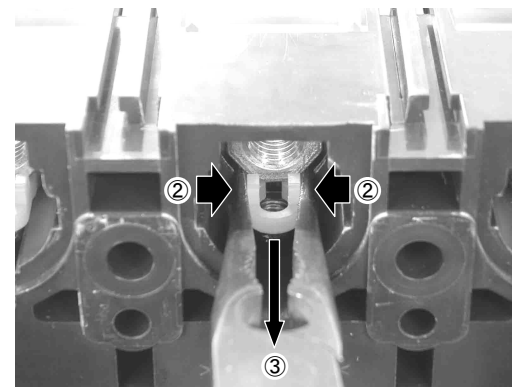


L

3P: 6pcs  
4P: 8pcs



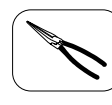
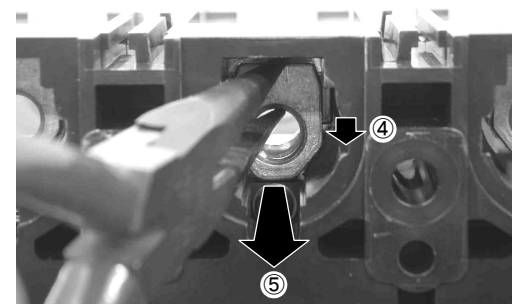
**2 + 3 Removal of M**



M

3P: 6pcs  
4P: 8pcs

**4 ~ 5 Removal of N**

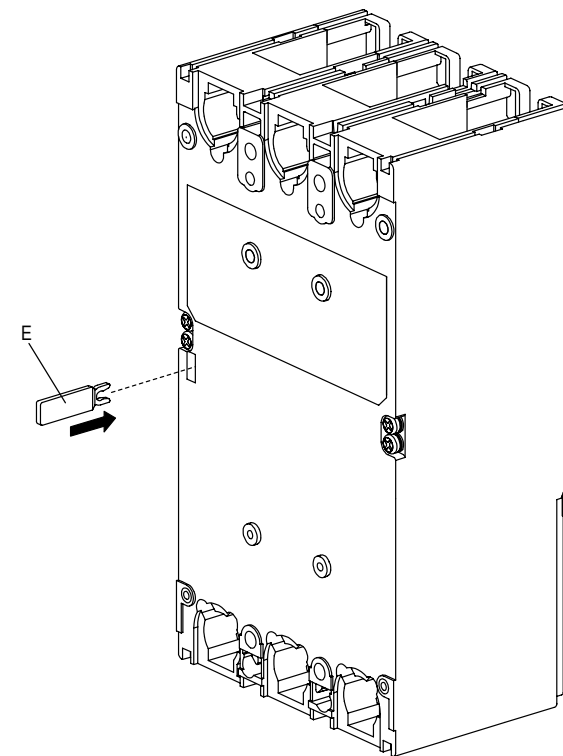


N

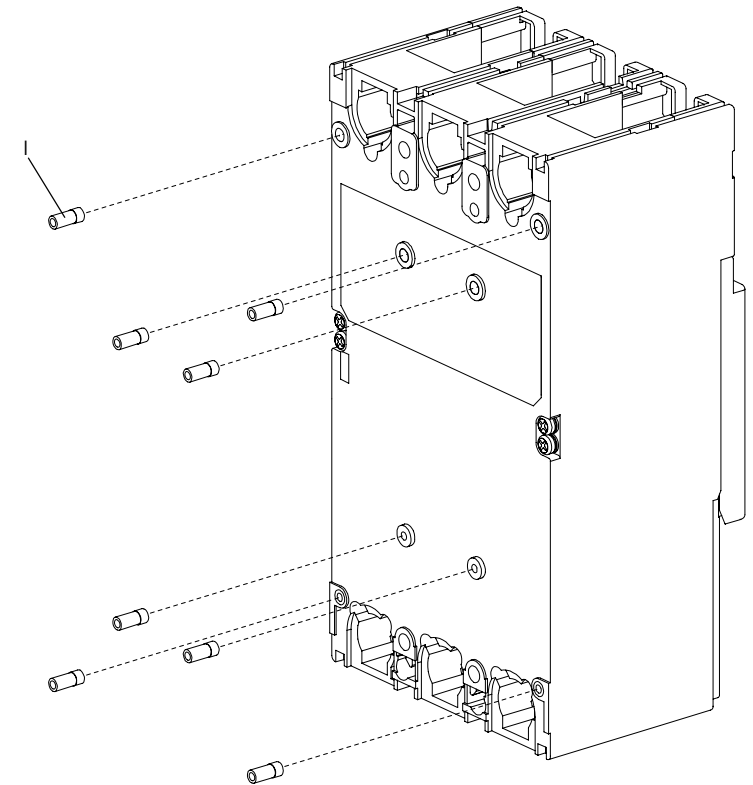
3P: 6pcs  
4P: 8pcs



**7 Insert the transmitter E in the hole of breaker.**

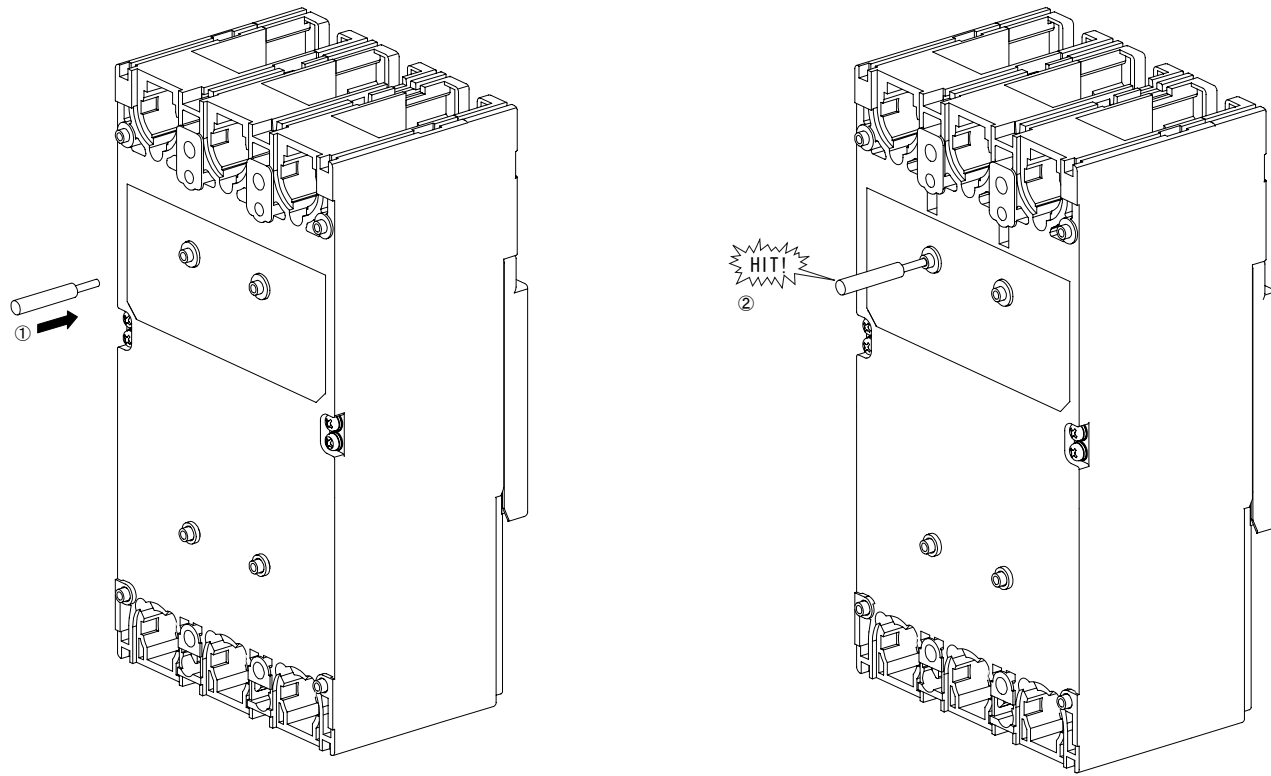


**8 Insert in the dodge insert I into the hole of breaker.**

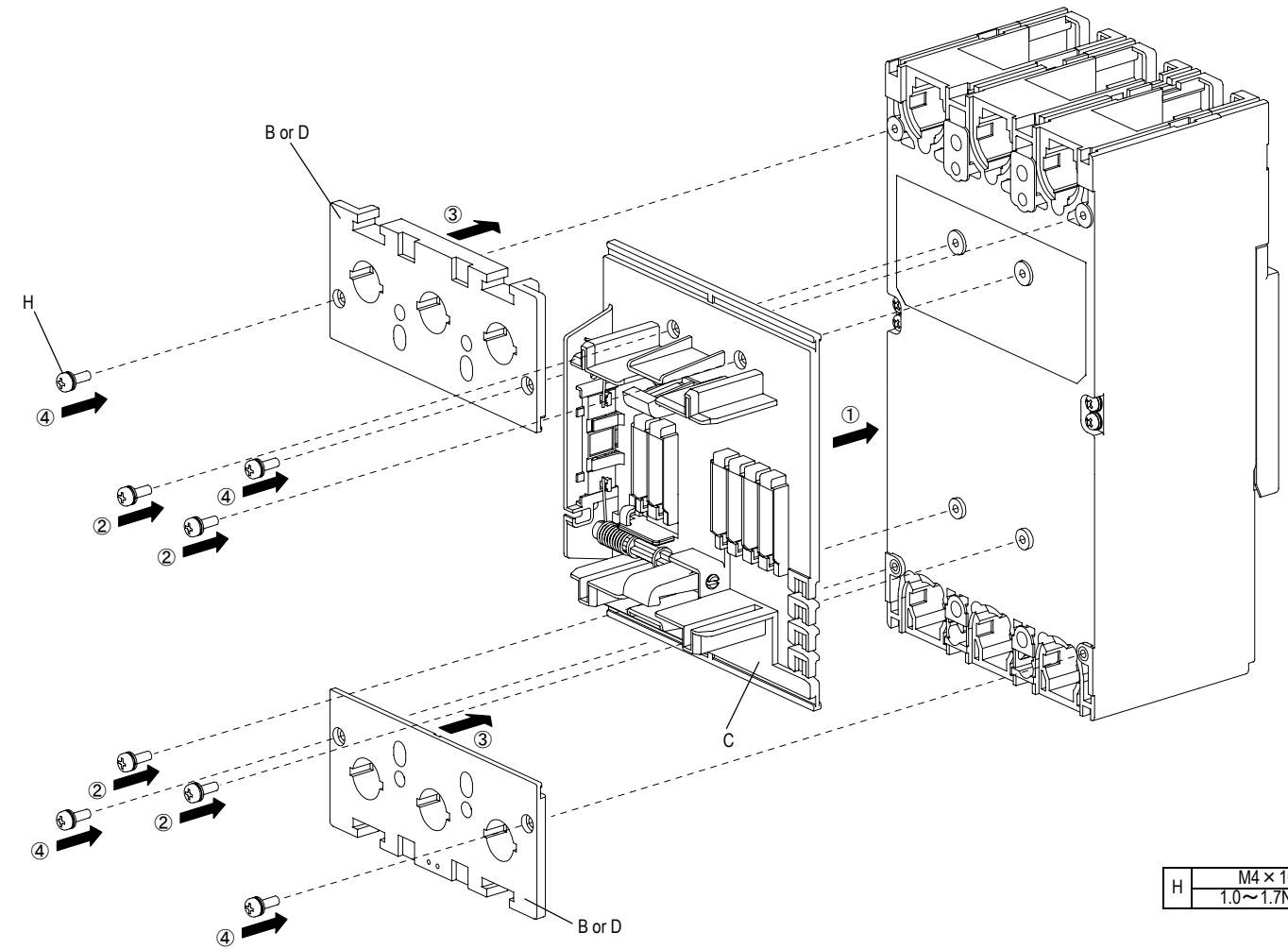


• Before insert the transmitter, make sure that the breakers are in the I (ON) position.

⑨ Drive the dodge - insert into the breaker with the assembly tool.

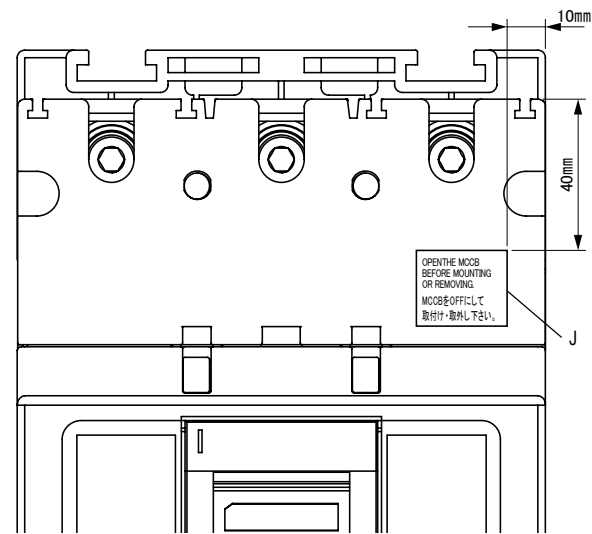
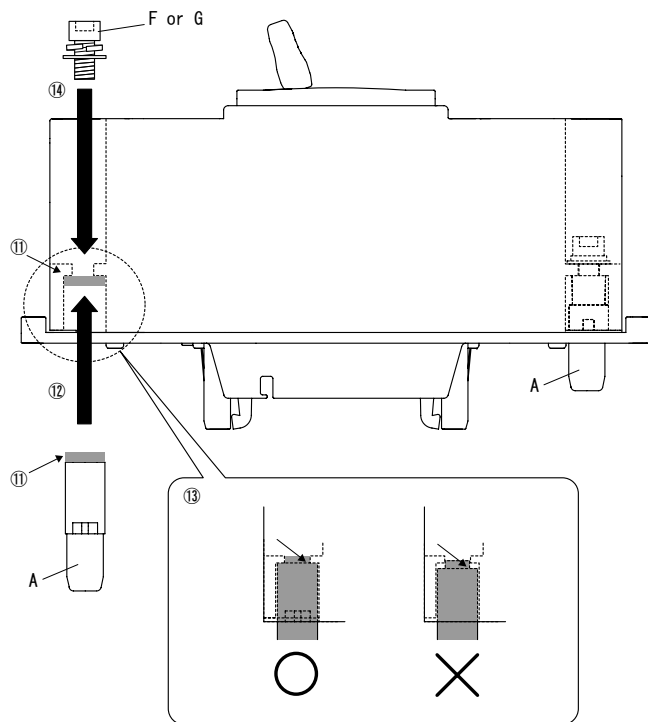


⑩ Mount the carrier B or D and C to rear side of breaker.



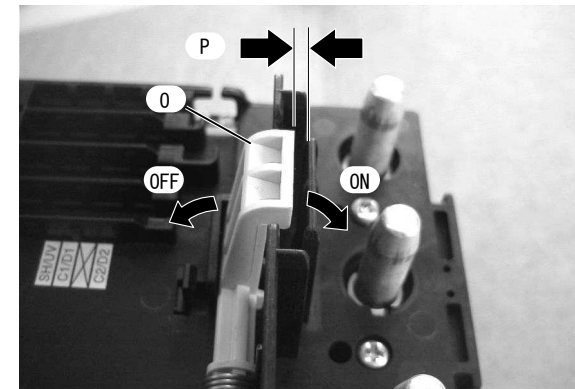
- ⑪ Cleaning
- ⑫ Insert
- ⑬ Check contact state
- ⑭ Tightening

⑮ Stick the sticker I on the breaker body.



⑮ Operation check

- ① Operate the breaker to check the part of O for proper function.
- ② Operate the breaker to check the distance P.



P	ON	OFF
	Narrow	Wide